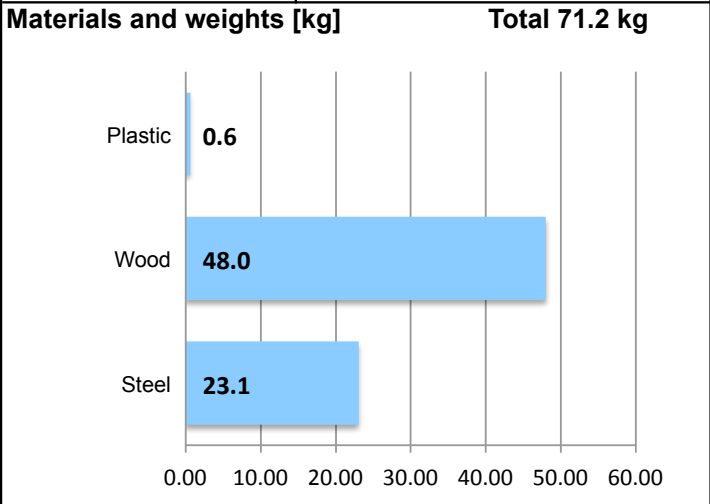


| | |
|-----------------------|--------------------|
| Product name: | Alku |
| Product type: | Workstation |
| Launched: | 01.01.2013 |
| Product group: | 203A |
| Product code: | 499B160200 |
| Total CO2: | 47.2 kg |
| | |

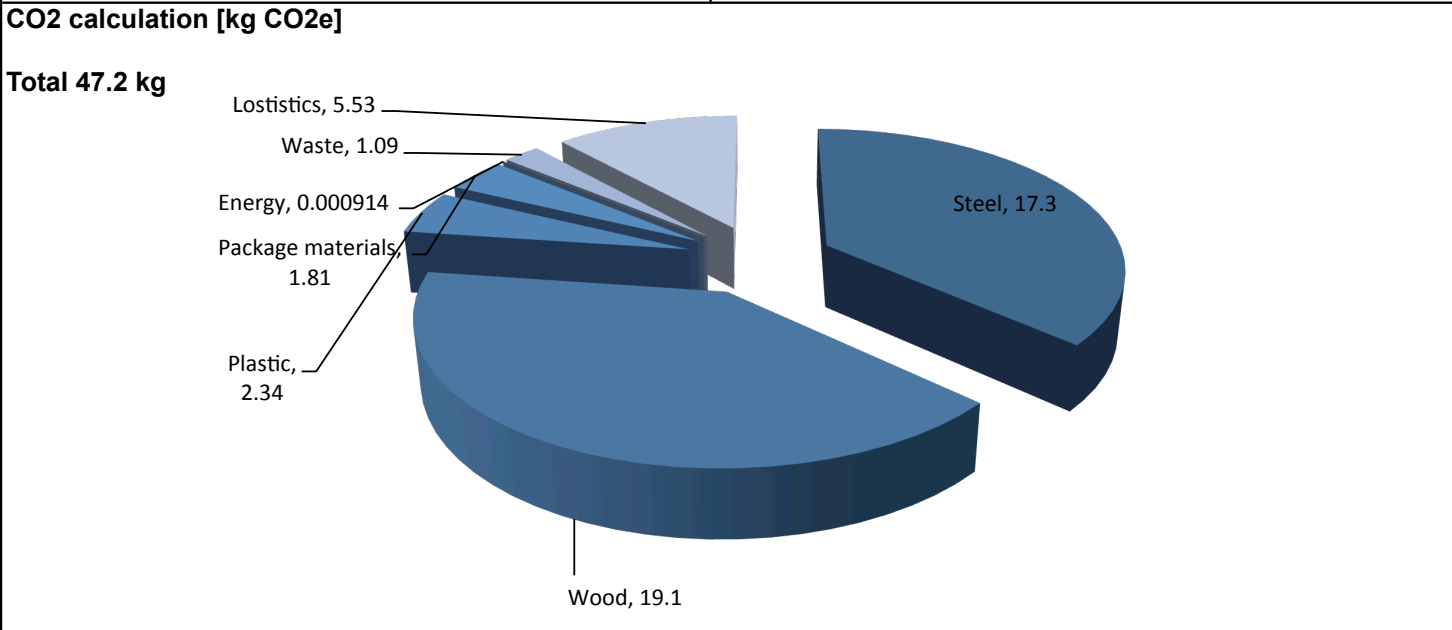


Reuse and recycle information

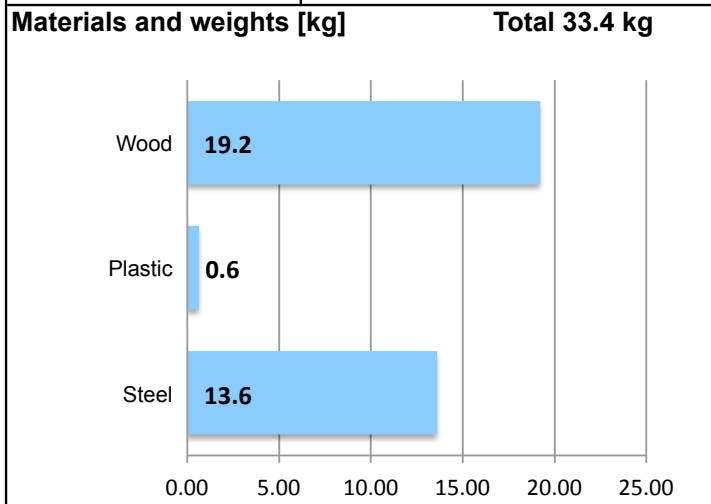
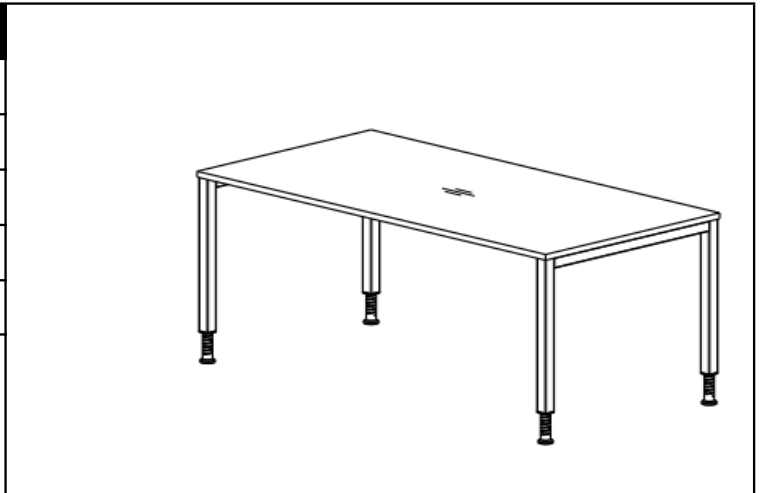
This product is designed to be long lasting and withstand the test of time. When you no longer need this product, a new user can gain value from it. Even after a long use, the product can be refurbished or remanufactured to obtain a new life. Left over materials that cannot be reused can be recycled or recovered as energy. The estimated CO2 savings potential of refurbishment of this product is included below.

Please contact us at www.martela.com

CO2 savings potential through refurbishment: **35 kg**



| | |
|-----------------------|--------------------|
| Product name: | Alku |
| Product type: | Workstation |
| Launched: | 1/1/13 |
| Product group: | 203A |
| Product code: | 499B80160 |
| Total CO2: | 23.1 kg |
| | |



Reuse and recycle information

This product is designed to be long lasting and withstand the test of time. When you no longer need this product, a new user can gain value from it. Even after a long use, the product can be refurbished or remanufactured to obtain a new life. Left over materials that cannot be reused can be recycled or recovered as energy. The estimated CO2 savings potential of refurbishment of this product is included below.

Please contact us at www.martela.com

CO2 savings potential through refurbishment: 18 kg

